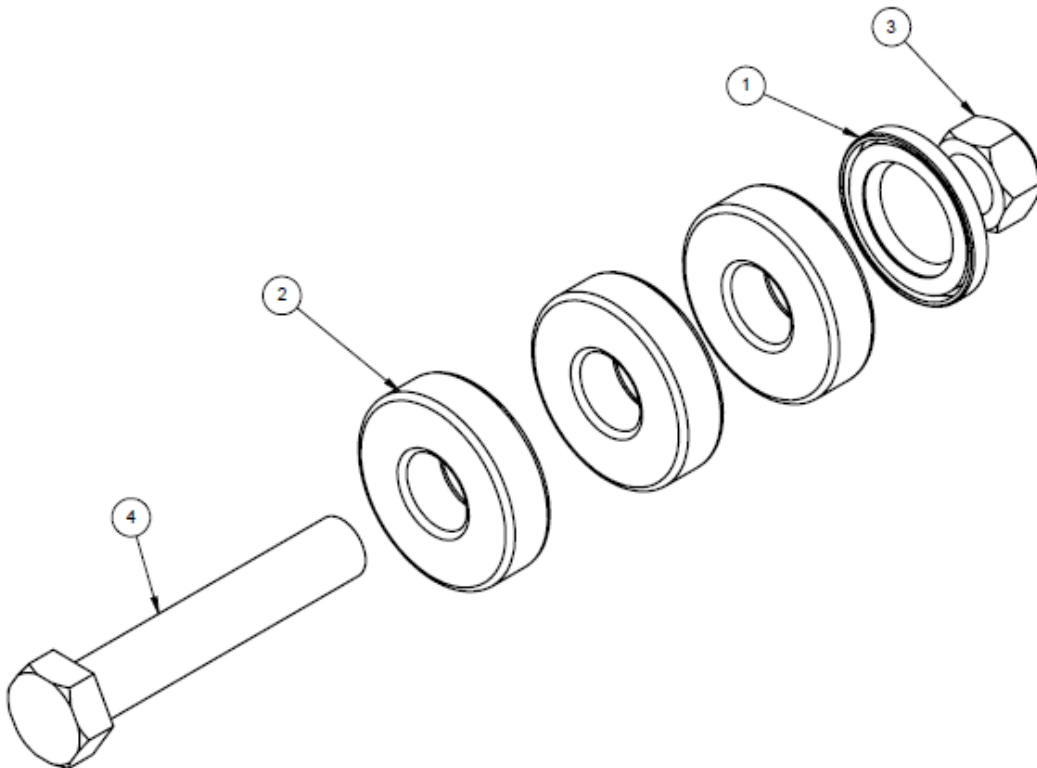


SEEDMASTER OPENER PACKER HUB UPDATE

SeedMaster is sending this notice and installation guide out to all dealers and customers regarding the Packer Hub Assembly. Continuing to improve, SeedMaster has implemented a change for the 2020 production year to help manage the risk of foreign material entering the housing of the hub. By adding a Packer Hub seal, the three packer hub bearings are better protected to help increase performance and longevity while preventing premature bearing failure. This bulletin is intended to notify dealers, owners, and operators of this change so that the option of purchasing this Product Improvement to install on their existing unit is available. The installation guide follows on page 2.

Update kit 404745 includes the following:

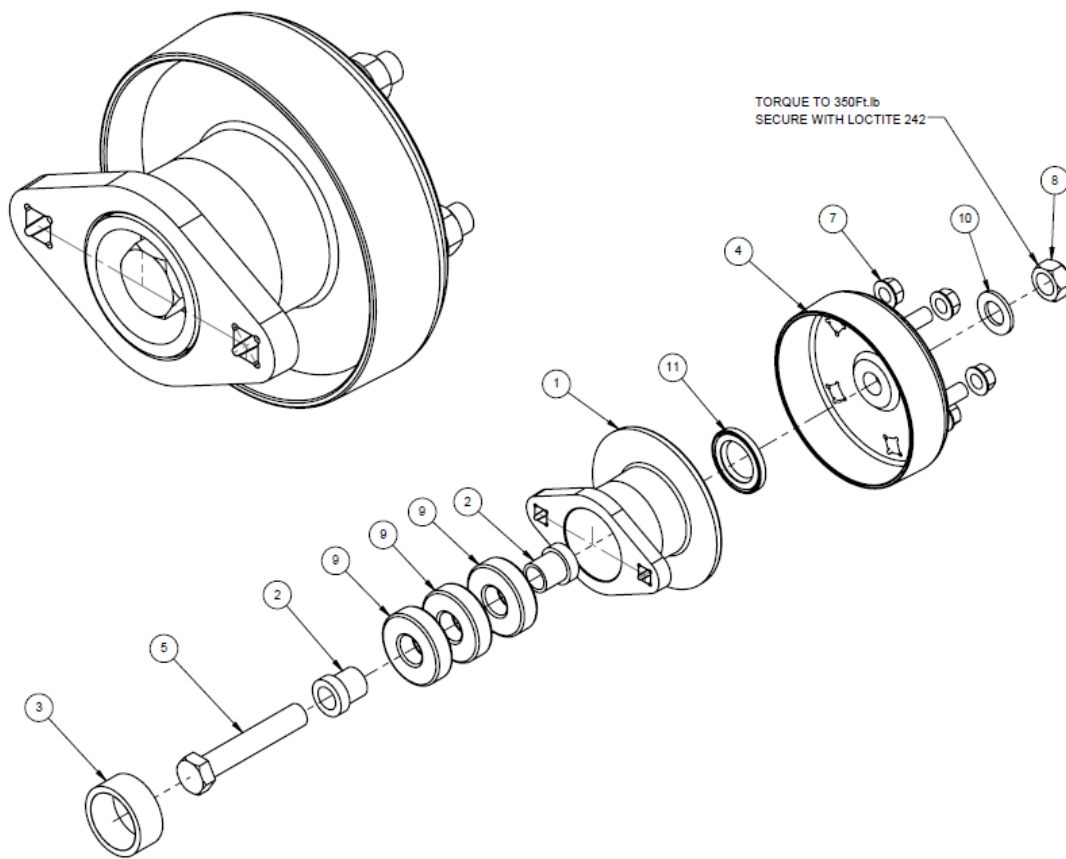
1. Opener Packer Hub Seal
2. 3 x 6305 Packer Bearings
3. $\frac{3}{4}$ Stover Nut
4. $\frac{3}{4}$ x 4 $\frac{1}{4}$ Grade 5 Hex Bolt



SEEDMASTER OPENER PACKER HUB UPDATE

Installation

1. Remove the hub assembly from the opener depth adjustment plate.
2. Disassemble the hub assembly. Refer to the diagram below.
3. Discard the Stover nut (8), and hex bolt (5).
4. Inspect and clean the Wheel Plate Casting (4). Ensure the center hole is perfectly round. If there are signs of uneven wear, replace the entire hub assembly. If it is not worn, proceed to step 5.
5. Inspect and clean the Packer Hub Casting (1). Ensure the surface of contact for the seal is clean.
6. Using a flat edged surface or rubber mallet, carefully tap the seal into the Packer Hub Casting.
7. Apply a small amount of heavy-duty or wheel bearing grade grease to fill the inside seal cavity.
8. Reassemble the hub assembly with the Update Kit parts, any other replaced parts, and apply Loctite 242 to the hex bolt.
9. Install the Stover nut and torque to 350 ft-lb.



We thank you for maintaining your SeedMaster equipment. If you have any questions, please contact your [SeedMaster Certified Dealer](#) directly.