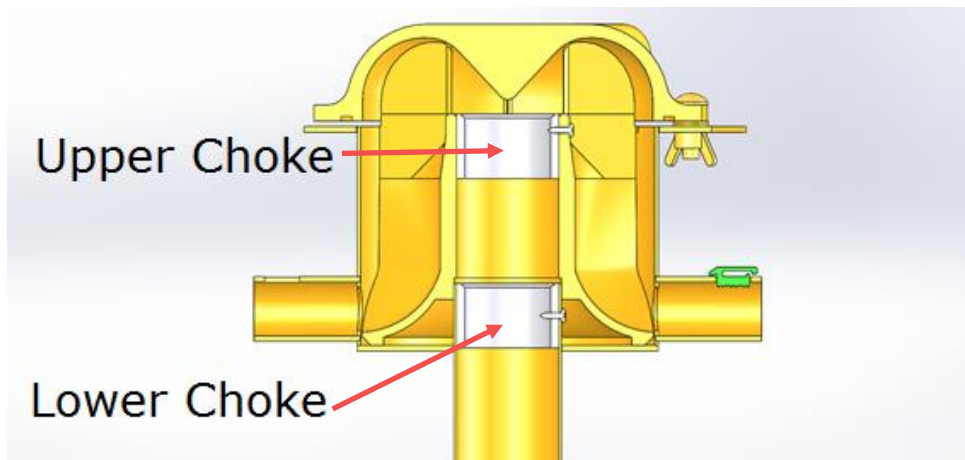


DISTRIBUTION MANIFOLD MAINTENANCE

SeedMaster would like to remind our 2012, 2013, 2014 customers to inspect their delivery manifolds, noting the amount of wear from product delivery. We want to ensure that the internal choke rings (pulse rings) are in place. We are offering a replacement kit that is a maintenance-free design. The replacement kit is a two piece design that will replace the plastic chokes with steel chokes inside the main delivery tube. Please see image below for reference:



Steel Choke Replacement Kit – Part# (510259) - This kit consists of two steel chokes and replacement seal.

Changing over the pulse rings to steel chokes and adding new foam is a simple procedure. Please follow the steps below:

1. Remove lid from manifold.
2. Remove the screw holding the top choke in place and set aside. You will need to reuse the removed screw later.
3. Remove plastic distribution chokes from the manifold tube.
4. Remove the lower choke screw by cutting or grinding it from inside the tube.
5. Ensure that the delivery tube is clear of restrictions.
6. Install new lower steel choke, ensuring that the tapered edge is down. Tap choke down into place until choke is seated against the top of delivery tube.
7. Install new top steel choke, ensuring that the tapered edge is down. Tap choke down into place until choke is level with the top of the poly manifold insert.
8. Locate original top choke retaining screw hole, and mark steel choke. Remove choke and drill pilot hole at the mark. Reinstall choke to set point. Use the original choke retaining screw to secure top choke in place.
9. Remove original foam seal and replace with the new foam provided in the kit.
10. Replace lid and tighten down wing nuts.

We thank you for maintaining your SeedMaster equipment. If you have any questions, please contact your SeedMaster Certified Dealer directly.