

## HIGH FLOW FAN SERVICE NOTICE

SeedMaster would like to inform you of a service notice for our new High Flow Fan option that is on our Nova Smart Cart lineup. This fan requires to be greased at the specified grease points every 100 hrs.

**Figure #1** is a breakdown of the high flow fan drive assembly. **Figure #2** is a close up view of the main bearing assemblies which support the fan drive shaft. To locate the grease points, remove the shaft cover housing to access the required grease points. Note: There are two grease points per fan assembly. These grease points should be serviced every 100 hrs using a lithium based grease. Ensure not to over grease bearings, as that may cause bearing seal damage.

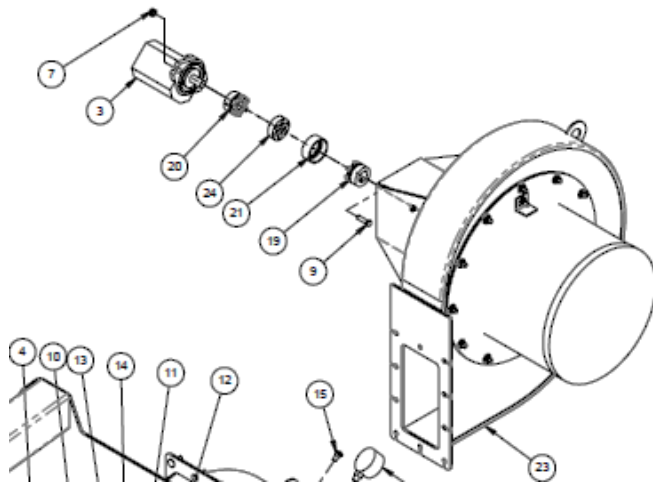


Figure #1

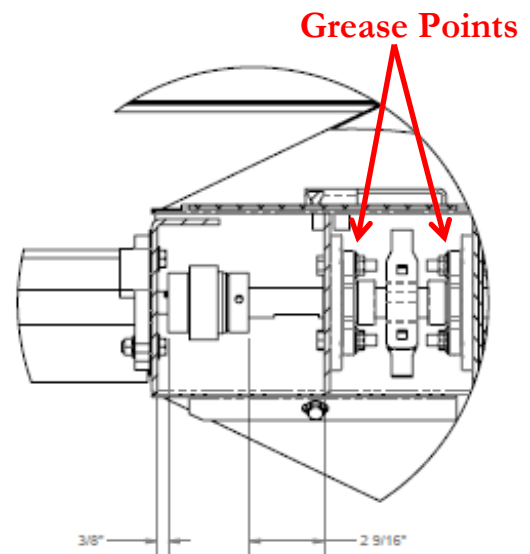


Figure #2

We thank you for maintaining your SeedMaster equipment. If you have any questions, please contact your SeedMaster Certified Dealer directly.