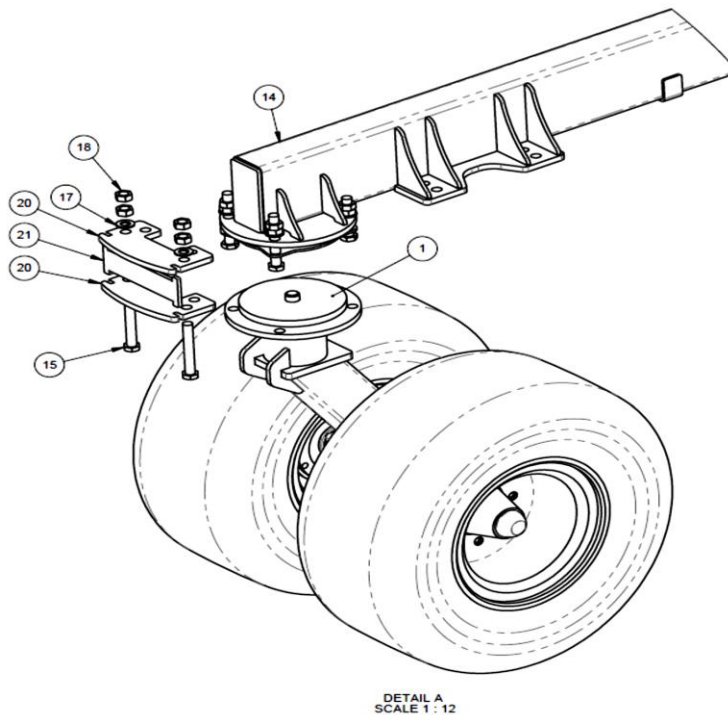


## SEEDMASTER CASTER BRACE KIT

SeedMaster has developed a front Caster Support Kit - Part# 404189. This support brace is a bolt on upgrade and can be added to any standard style caster or year of, Seed Master Drill (excluding HD Caster). The caster support brace adds strength to the front main frame caster pivot connection. The upgrade consists of two reinforcement plates, one spacer plate, and four 7/8" bolts. This brace adds great strength to the caster assembly when installed.



ITEM	QTY	PART #	DESCRIPTION
1	1	404201	ASSY, DUAL CASTER – WALKING – 12.5L 16 - BLK
14	1	400390-7	ASSY, RAIL – HVY MAIN FRM – BLK
15	4	250079	BOLT, HEX 7/8 x 6 UNC GR5 PL
17	6	250553	WASHER, FLAT 7/8IN GR8 PL
18	12	250452	NUT, HEX – 7/8 UNC PL
20	2	404190	PLATE, SUPPORT 5/8IN – MAIN CASTOR – BLK
21	1	404191	PLATE, SPACER 3/8IN – MAIN CASTOR SUPPORT - BLK

We thank you for maintaining your SeedMaster equipment. If you have any questions, please contact your [SeedMaster Certified Dealer](#) directly.